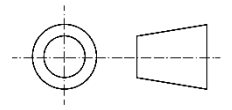
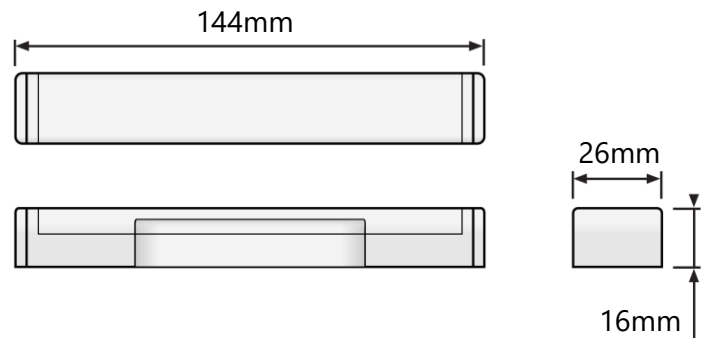
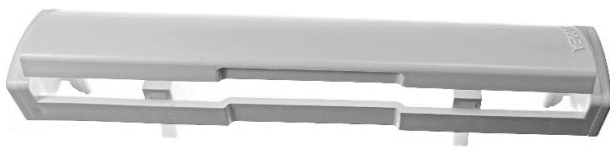


Modular Tricklevent

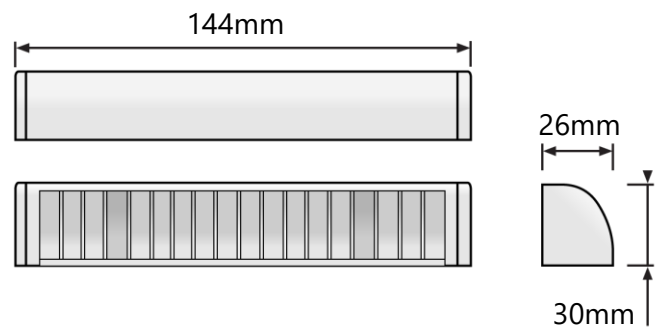


Our Modular Tricklevent is rated for 2000 EQA performance per module and is intended to allow for the addition of more modular vents to reach the desired airflow performance. The Modular Tricklevent consists of an internal ventilator and an option of 2 external vent options (canopy or grille). Below is the technical information for a single Modular Tricklevent in the ventilator and canopy configuration only.

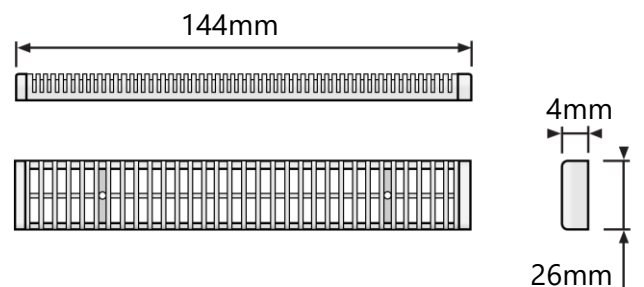
Modular Ventilator (Internal)



Modular Canopy (External)

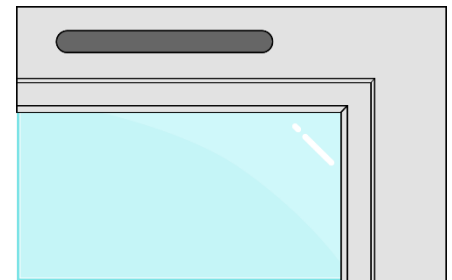
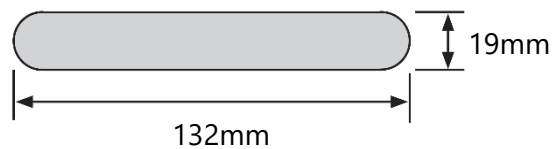


Modular Grille (External)

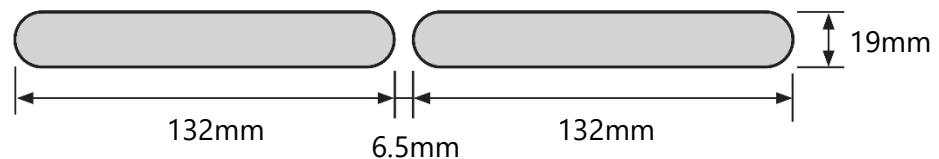


Rout Dimensions

2000 EQA
(1 Module)



4000 EQA
(2 Modules)



Airflow Performance

Equivalent Area (EQA)	Water Ingress	Air Leakage when Closed
2000 mm ²	1000Pa	<0.6 L/s

The ventilation & water tightness tests for the table values above followed **BS EN13141-1:2019**. The EQA value has been rounded down to the nearest number. The water ingress value is the maximum air pressure differential without water penetration. The air differential pressure for the air leakage value was 100Pa.

Acoustic Performance

Vent Open	Vent Closed
33dB (-1;0)	48 dB (0;-1)

The above values are the $D_{n,e,w}$ sound reduction values of the Modular Tricklevent. A $D_{n,e,w}$ figure reflects sound testing at every frequency. The acoustic test for the values above were done in accordance with **BS EN10140-1** & **BS EN10140-2**.